



YS Sereies

## Features

Batch Capacity: 1kg-7kg/batch

Heating Source: LPG gas/N-gas

Drum Material: cast iron

Control System: Siemens brand

Drum Speed Control: yes

Airflow Control: yes

Total Power: 1070W

Certificate: ISO9001/CE/RoHS

Size: 2151\*720\*2000mm(W\*D\*H)

Weight: approx. 600kg

## Options

Data logging and profiling

Destoner

Your own choice of painting

Electrostatic filter system

**YOSHAN**



# YS Series 6kg

## Specifications

### Output per hour:

Maximum can roast to 7kg per batch. Per hour output around 24~28kg.

### Drives:

Direct frequency drive motor. Adjustable drum speed control and adjustable roast fan speed control.

### Roast Drum:

Digital precision control. Cast iron drum with high performance Swedish brand bearings.

### Voltage:

1 phase 220~240V 50-60Hz

### Motor:

4pcs Japanese powerful ADDKA motors for drum, airflow, cooling and stirring.

### Warranty:

1~3 years limited with free part replacement by air on our cost.

### Support:

24/7 online technical support and lifetime maintenance.

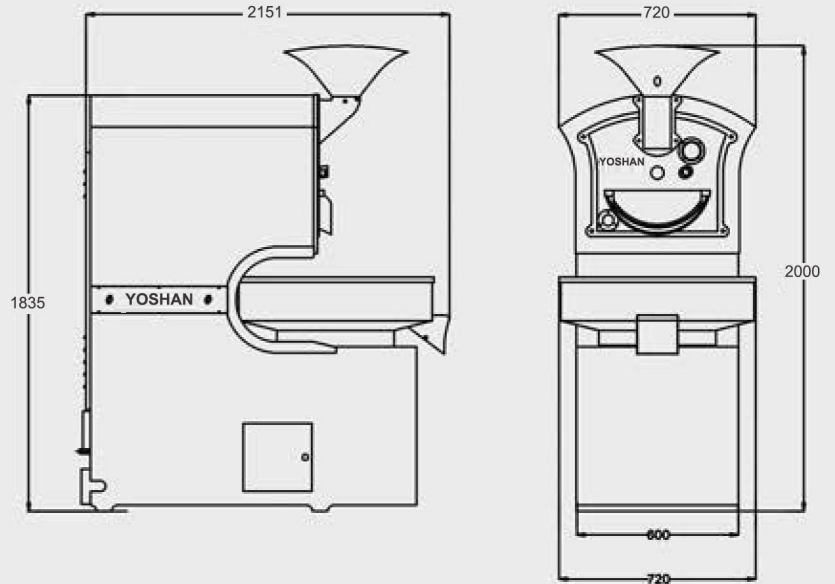
### Customize:

OEM/ODM acceptable. Logo printing and color customize available.

Visit us on our website:

[www.ysroaster.com](http://www.ysroaster.com)

or follow us on facebook(yoshanofficial),  
instagram(yoshan\_official)



# YOSHAN