

Ideal DY – 1 kg 2kg Gas/Electric

YOSHAN New IDEAL SERIES have the most advanced PC integrated roasting system on the market, offering superior monitoring of the roasting process. The roaster is specifically designed for the needs of specialty, home and commercial coffee roasting to allow for greater flexibility to roast a wide range of profiles to suit varying methods.

Are you going to start a small roastery business, or do home roasting for fun, but no idea how to control the roasting process? DY-1kg Starter Roasting kit will be your perfect choice. You can roast small batches of high quality coffee at home, and get to enjoy the satisfaction of drinking fresh roasted coffee by yourself. After you get ready with the business, can further upgrade your business by using DY-2kg. They are especially design for home or small and medium sized coffee shops. With integrated Artisan software can pre-set profiles for beans and let you track the real time roasting, including temperatures, bean color changing, fan speed, stirrer, ejection door. Elegant looking, easy to operate. No need handmade notes anymore. For second roast, you can just simply follow the prior profile guides.

General Features:

Total Control

Variable drum and fan speeds. Powerful dedicated cooling fan.

Double Wall Drum

304 food grade stainless steel dual wall design ensures perfect heat transfer for homogeneous roasting.

Industrial Quality Control

Solid plate and all stainless steel construction for drum and machine body to ensure greater resistance and durability.

USB & Bluetooth Data Logging

State of the art real time roast data and logging via free Artisan software for both windows & Mac.

Warranty and Technical Support

24/7 Phone & Online Tech Support and one year warranty, supported by 30 years experienced engineers team.

The screenshot shows a news article on the website 'PARKVILLE QUALICUM BEACH NEWS'. The article features a photo of a man, Jeremy Peters, standing next to a coffee roaster. The headline of the article is 'Qualicum Beach coffee roasters capture silver medal at North American competition'. Below the photo, there is a sub-headline: 'Java masters: French Press Coffee Roasters second in 'milk-based' category'. To the right of the article, there is a promotional banner for 'FASTER THAN ANY OTHER MEDIA VEHICLE' by Black Press Media, with the text 'Does your business stand out? We can help. Digital marketing solutions designed specifically for you.'

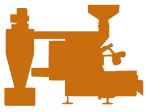


Parameters Table

Technical Data	Model	DY-1kg	DY-2kg
Basic Parameters	Batch Capacity	200G-1300G/batch	200-2300G/batch
	Roasting Time	12-20 minutes/drum(after preheat at 180°C)	
	Heating Type	Complete Electric/LPG gas(propane)/Natural Gas	
	Temperature Range	0-300°C adjustable	
	Drum Construction	Heat-resistant double layer 304 food grade stainless steel	
	Cooling Time	1-2 minutes	
	Gas Consumption	0.13kg/hour	0.2kg/hour
	Electricity Consumption	4.2kw/hour(electric type) 0.19kw/hour(gas type)	4.4kw/hour(electric type) 0.22kw/hour(gas type)
Power	Drum Motor	60W	90W
	Cooling Tray Fan Motor	50W	50W
	Hot Air Fan Motor	50W	50W
	Cooling Mixing Motor	15W	15W
	Electric-type Total Power	4190W	4420W
	Gas-type Total Power	190W	220W
Description	Machine Weight	110KG	130KG
	Chaff Cyclone Weight	20KG	20KG
	Machine Dimension	120*80*110cm(W*D*H)	120*85*120cm(W*D*H)
	Body Color	Red/Black/White/Blue/Green/Customize	
	Drum Housing color	Stainless steel/Gold/Rose gold/Copper/Customize	
	Package	Film plastic&wooden case	
	Packing Size	104*86*96cm(W*D*H)	
	Gross Weight	approx.165KG	approx.170KG
Others	Certificate	CE/RoHS/ISO9001	
	Warranty	1 year limited(can be extended to 2~3 years with upcost)	

***Warranty:** 24/7 Lifetime Phone & Online Tech Support, One Year Limited Warranty include any failure of parts without human damage, replacement will be sent with air express on our cost.

Main Features



The Highest Quality Materials and Parts

- 1) All beans contacting surfaces are made of food grade 304 stainless steel.
- 2) Double-walled drum for better heating control giving more even roasting.
- 3) Four powerful independent, famous Japanese brand ADDKA, motors allowing simultaneous roasting and cooling, and offering an accurate speed control system.
- 4) Swedish SKF brand universal-joint bearings keep the drum spacing at 2mm for 360 ° even heating, the same as Probat brand roasters.
- 5) World famous OMRON temperature control panel with dual thermocouple detectors from Germany and LED colorful stainless steel buttons for service life up to 50000 uses.



Echo-friendly Solutions

- 1) Japanese manufactured burner to make sure 360 degree even roast. Super energy saving, costing only US\$0.27 per hour gas consumption (data collected from Caroline, USA, 2019).
- 2) Roast sustainable and reduce emission with our electric type roasters.
- 3) 30mm cancer free insulation material, Ceramic fiber for heat resistance with minimal heat loss.



Carefree Roasting

- 1) Pre-installed data logger module inside roasters, compatible for most types of software, e.g. Artisan is a free to use, open-source roast data logging software with a large amount of features and supporting a wide range of devices. All data relevant to roasting is saved, allowing it to be accessed and analyzed at any time.



Personal Attention

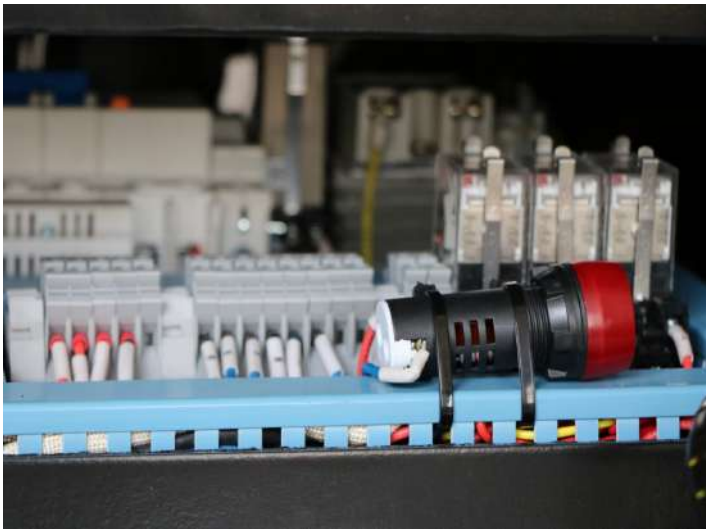
By buying a Yoshan coffee roaster, you are assured of the best support and service from the beginning to the end. 24/7 online after-sale service with 1 year limited warranty.



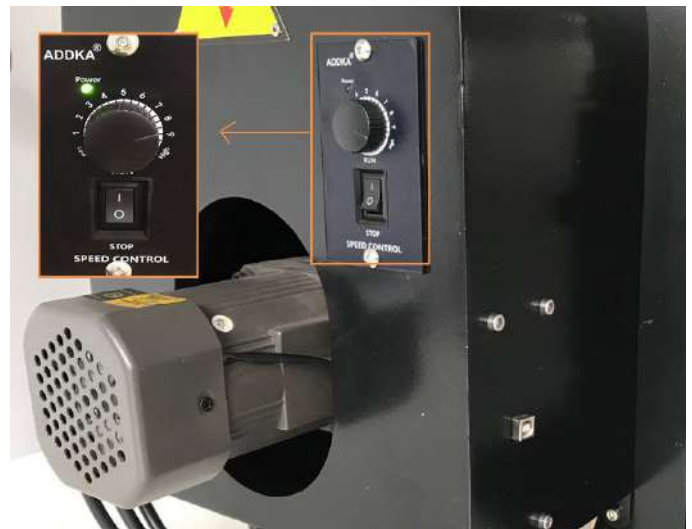
Electric Type Controller



Gas Type Controller



Electric Box



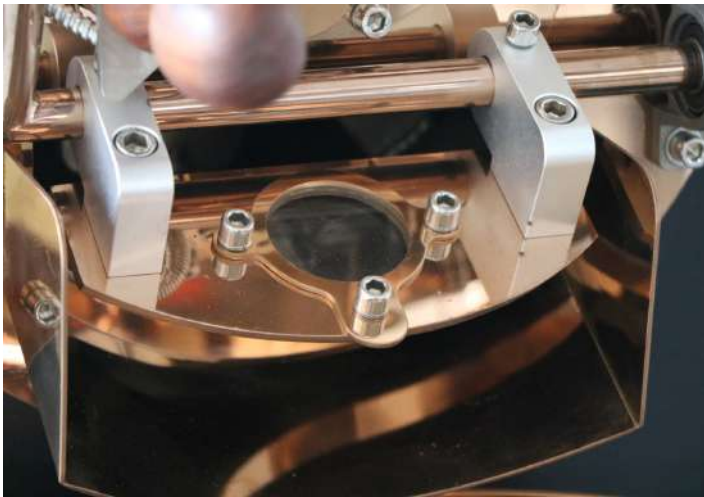
Drum Speed Control



Large Cool Tray



LED Lamp



Sight Glass



Collection Tray



Rosewood Sample Spoon



Loading Hopper



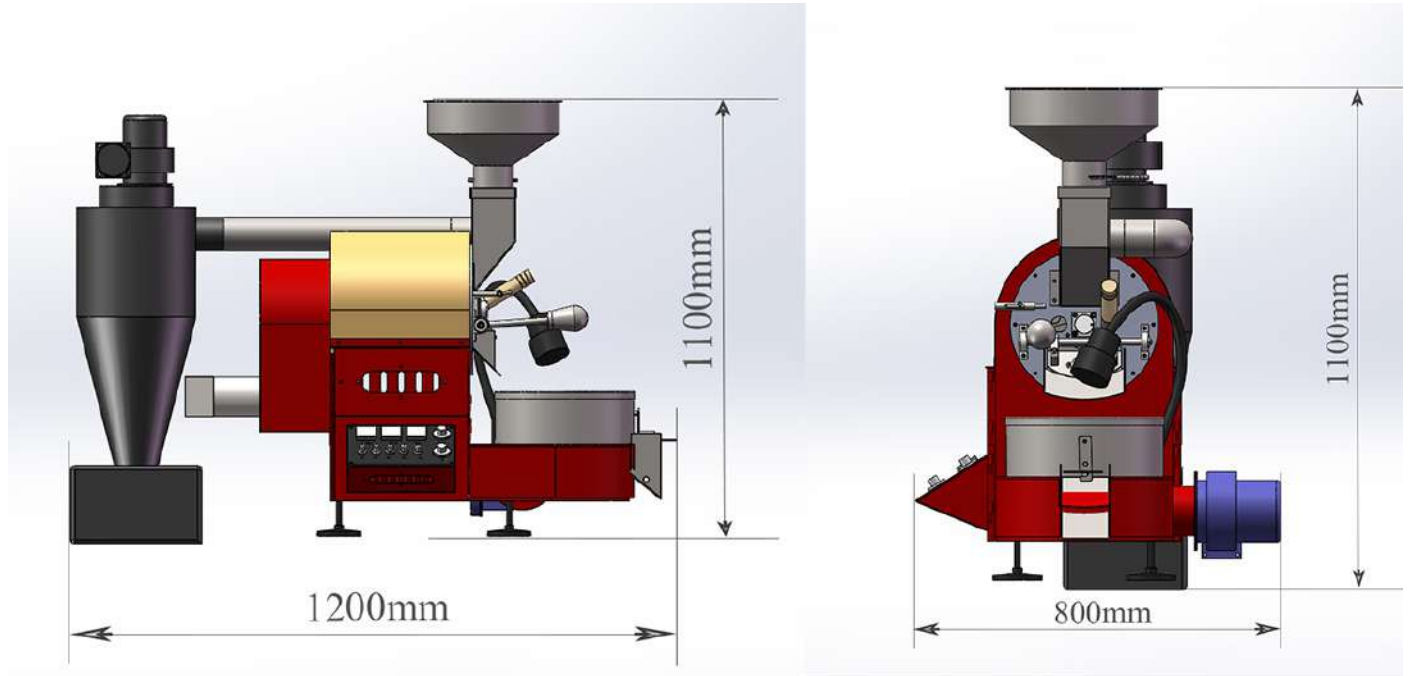
Detachable Chaff Cyclone



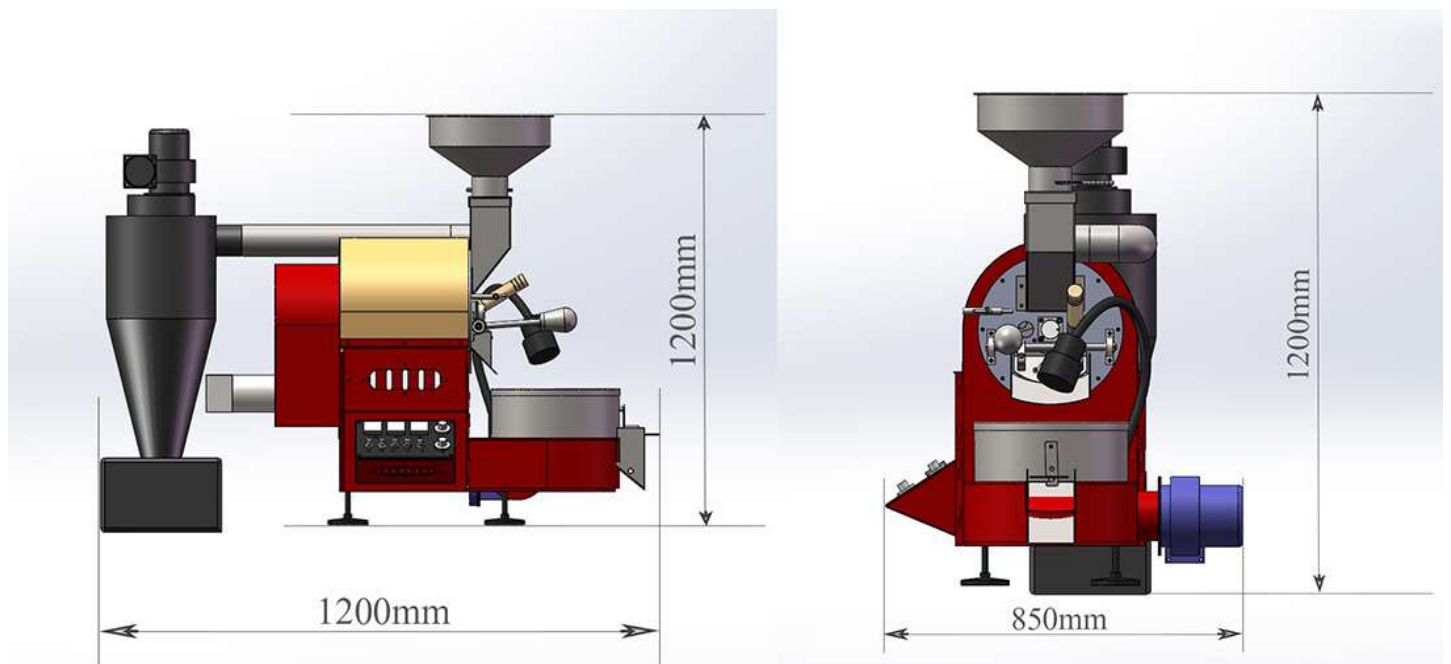
Chaff Cyclone Tank

Machine Dimension

DY-1kg Roaster



DY-2kg Roaster



Basic Models



White Body Color



Black Body Color



Red Body Color



Mirror Silver



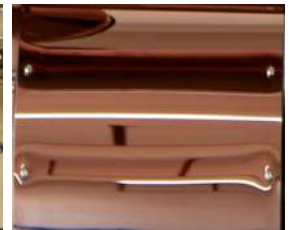
Matt Silver



Ripple Gold



Mirror Gold



Mirror Copper

Drum Housing Color

Custom Models(upcost)



Basic Model



Upcost **US\$150**
for stainless steel
parts



Recommendation Equipments

1. Display Table for 1kg 2kg Roaster



2. ESP Smoke Filter



3. Electric Coffee Grinder



4. Other Equipment

Destoner



Semi-automatic sealing Machine



Intelligent Filling Machine



Production and Assembly in Factory:





Package and Delivery





Thank You!