

Yoshan SD – 3 kg Coffee Roaster

Born For Specialty Coffee

Cast iron double layers coffee roasting machine that roast high quality beans.

YOSHAN SD SERIES is specifically designed for the needs of specialty, home and commercial coffee roasting to allow for greater flexibility to roast a wide range of profiles to suit varying methods.

Are you going to start a small roastery business, or do home roasting for fun, but no idea how to control the roasting process? SD-3kg Starter Roasting kit will be your perfect choice. You can roast small batches of high quality coffee at home or coffee shop by yourself, and get to enjoy the satisfaction of drinking fresh roasted coffee by yourself. After you get ready with the business, can further upgrade your business by using SD-6/12/20/30/60/120kg coffee roaster. They are especially design for small and medium sized coffee shops and also coffee roastery. With integrated Artisan software can record profiles for beans and let you easily to know real time roasting, including temperatures, fan speed, stirrer, ejection door. Elegant looking, easy to operate. No need handmade notes anymore. For second roast, it will be helpful for you.

General Features:

Total Control

Variable drum and fan speeds. Powerful dedicated cooling fan.

Double Wall Drum

Cast iron dual wall design ensures perfect heat transfer for homogeneous roasting.

Industrial Quality Control

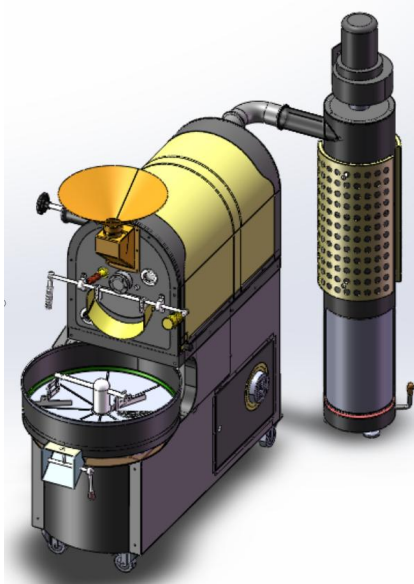
Solid plate and all stainless steel construction for machine body to ensure greater resistance and durability.

USB & Bluetooth Data Logging

State of the art real time roast data and logging via free Artisan software for both windows & Mac.

Warranty and Technical Support

24/7 Phone & Online Tech Support and one year warranty, supported by 30 years experienced engineers team.



Parameters Table

Technical Data	Model	SD-3kg coffee roaster
Basic Parameters	Batch Capacity	2000G-3000G/batch
	Roasting Output	8~12kg/hour
	Roasting Time	6-12 minutes/drum(after preheat at 200°C)
	Heating Type	LPG gas(propane)/Natural Gas
	Temperature Range	0-400°C adjustable
	Drum Construction	cast iron double layer drum
	Cooling Time	1-2 minutes
	Gas Consumption	0.5kg/hour
Power	Drum Motor	120W
	Cooling Tray Fan Motor	400W
	Hot Air Fan Motor	200W
	Cooling Mixing Motor	10W
	Gas-type Total Power	0.73kW
Description	Machine Weight	About 380kg
	Machine Dimension	Will be updated
	Body Color	Red/Black/White/Blue/Green/Customize
	Drum Housing color	Stainless steel/Gold/Rose gold/Copper/Customize
	Package	Film plastic&wooden case
	Packing Size	145*96*152cm(W*D*H)
	Gross Weight	414kg
	Accessories	Maintenance Tool Box*1, Allen Wrench Set*1, Cleaning Brusher*1, Gas Pipe Snap Rings*4pcs, Low pressure valve*1, gas pipe*1, User Manual*1
	Software	Artisan software(for free) and Crospier software(not free)
	Certificate	
	Warranty	1 year limited(can be extended to 2~3 years with upcost)
	After-sale Service	24/7 online after-sale service support and free spare parts for replacement on our cost

In the following cases, no free maintenance will be provided even within the warranty period.

- 1) Failure and damage caused by natural disasters such as fire, earthquake, flood, wind disaster, lightning strike, abnormal voltage, pollution, and chemical erosion.
- 2) Failure and damage caused by use in harsh environments (soot, dust, moisture, outdoor, etc.), and failure to use and maintain according to the requirements of the instruction manual.
- 3) Improper installation and use of power and gas.

- 4) Failures and damages caused by falling, modification, collision, self-disassembly and repair, etc.
- 5) Replacement of non-genuine parts and wrong cleaning of the machine.

Product Introduction

Model : SD-3 kg cast iron coffee roaster

Firstly, in terms of materials, we use cast iron for the drum, which could make the roasting more stable and ensure that the capacity of the drums of the coffee roaster can reach 3kg/patch, while others cannot reach 3kg/patch

For the cast iron drums, we only use it for our high end roasters, such as SD series, YS-6 kg, YS-12 kg

Secondly, we adjusted the layout of the combustion chamber and air passage to ensure that the coffee roaster conforms to the popular roasting process Structurally.

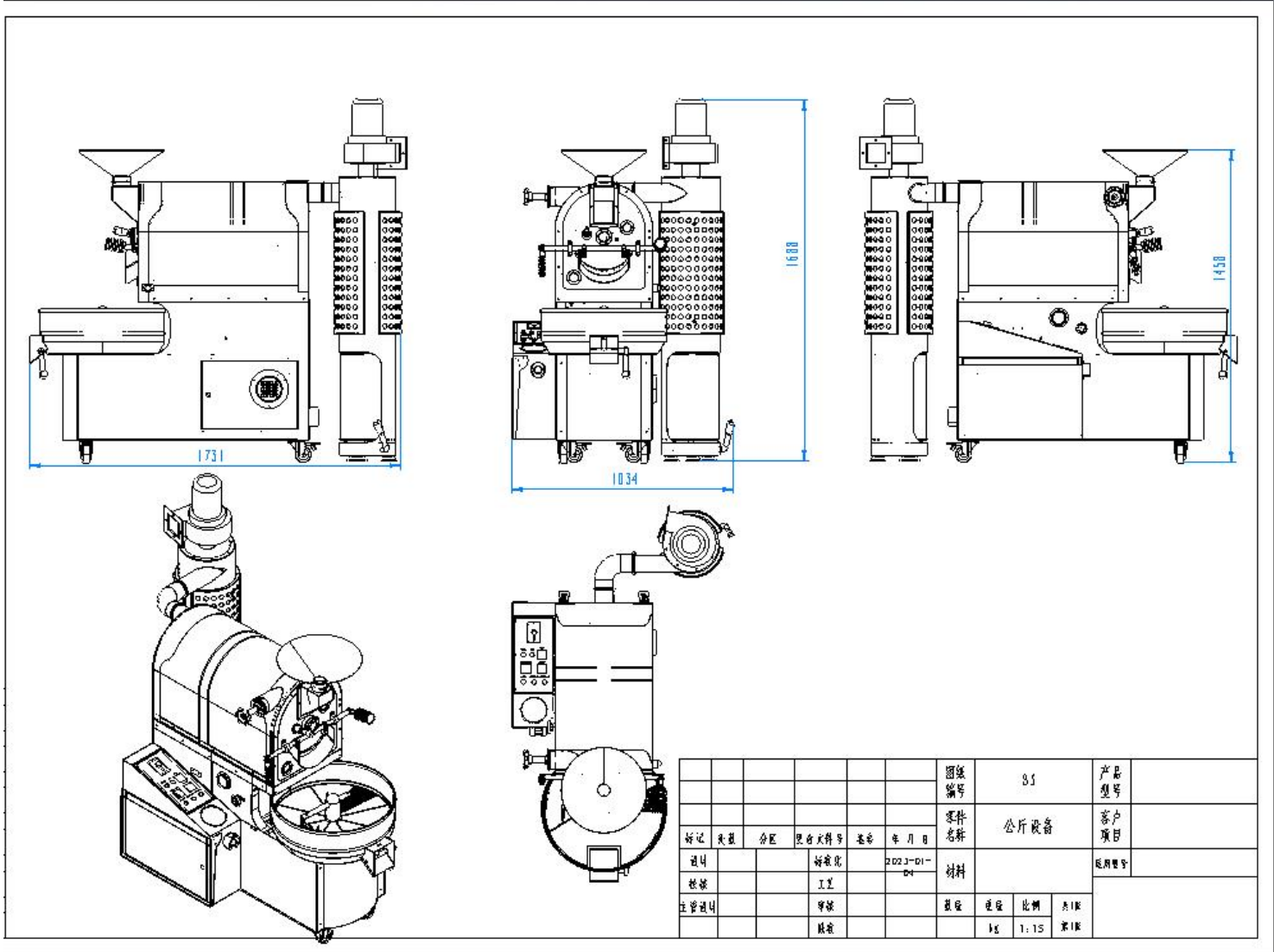
Thirdly, in terms of appearance, we have upgraded it, and the whole design is more ergonomic. You can see that the position of our cooling plate has been optimized, just sit next to the machine to operate the whole machine easily. Customers who used other 3 kg before complained to us that it was too tiring to use the machine.

Fourthly, in addition to referencing and learning the original technology and manufacturing process of Probat, we have also made a very important technical upgrade

For the cooling time and the time when the roasted beans come out, we have made a time control, which is a technology that other factories in China cannot do. For the cooling time, for specialty coffee, we control in 2 minutes, and for the blend coffee, we control in 2.5 minutes. This is very important because it determines whether the flavor of coffee beans can be locked. For the time when the roasted beans come out, we control in 13 seconds.

This is very important for craftsman roasters. The consistency of coffee beans will be affected by whether the coffee beans can be come out quickly. Do not look less at this 10 seconds. If there is no fast time control, the temperature of coffee beans still in roasting will rise by at least 3 degrees. For example, your coffee beans are medium roast. If a machine does not have a technical control over the time of bean come out, The final coffee beans are likely to change from medium roast to deep roast

The size of SD-3KG coffee roaster:



Main Features



The Highest Quality Materials and Parts

- 1.Cast iron Double-walled drum for better heating control giving more even roasting.
- 2.Four powerful independent, famous Japanese brand ADDKA, motors allowing simultaneous roasting and cooling, and offering an accurate speed control system.
3. Sweden SKF brand universal joint bearing keeps the roller spacing within 0.5mm, and the heating effect is in line with international brands.
- 4.World famous dual thermocouple detectors from Germany, which can accurately detect the temperature of coffee beans and hot air.



Energy conservation

- 1.Japanese manufactured burner to make sure 360 degree even roast. Super energy saving, costing only US\$0.27 per hour gas consumption (data collected from Caroline, USA,2019).
- 2.Roast sustainable and reduce emission with our electric type roasters.
3. 30mm insulation material with minimal heat loss



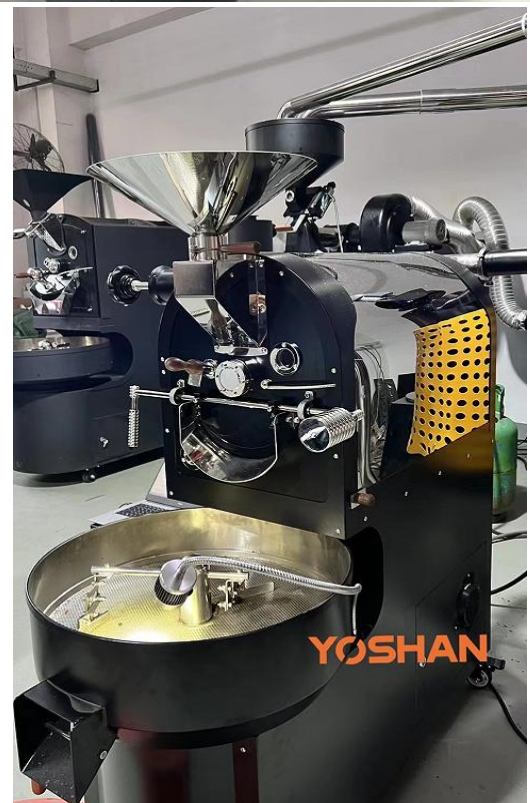
Carefree Roasting

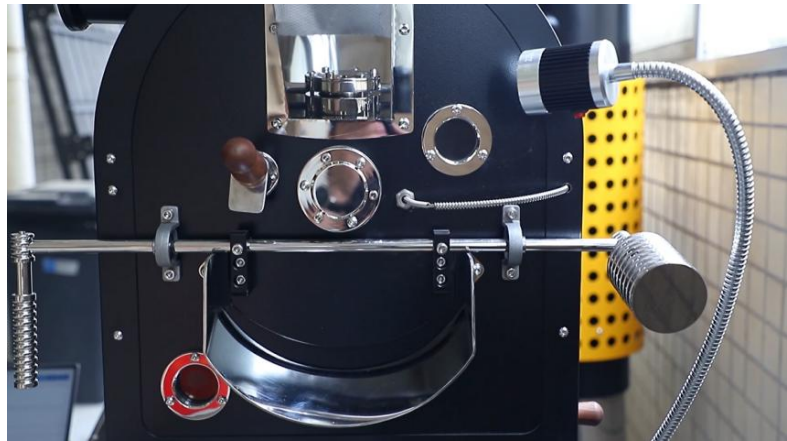
- 1.Compatible for most types of software, e.g. Artisan is a free to use, open-source roast data logging software with a large amount of features and supporting a wide range of devices. all data relevant to roasting is saved, allowing it to be accessed and analyzed at any time.



Personal Attention

By buying a Yoshan coffee roaster, you are assured of the best support and service from the beginning to the end. 24/7 online after-sale service with 1 year limited warranty.







Bluetooth Windows /MAC Connect Computer

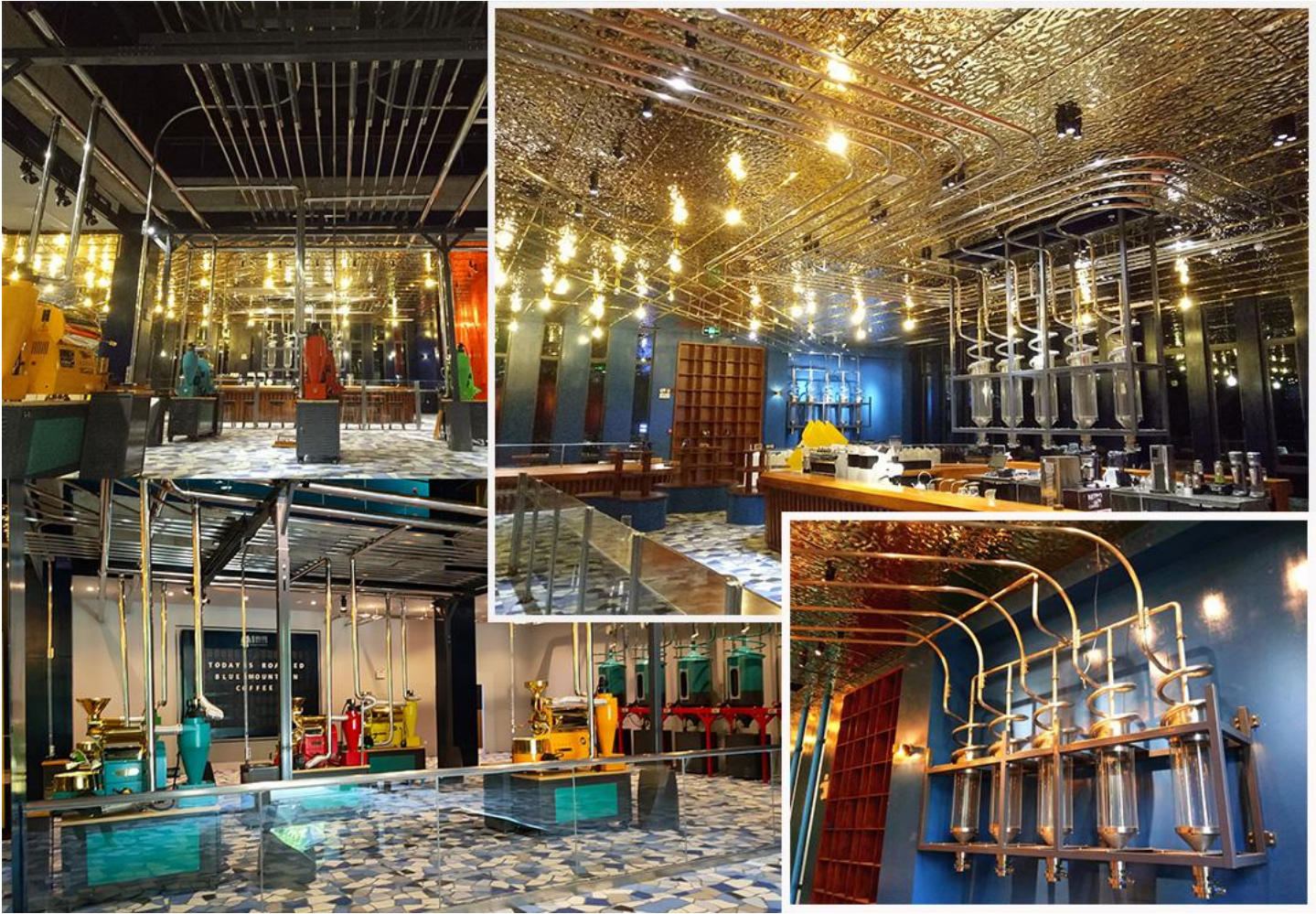
Just download the ARTISAN software to get connected

 Link Roasters

Windows system
or Apple system

 computer or tablet





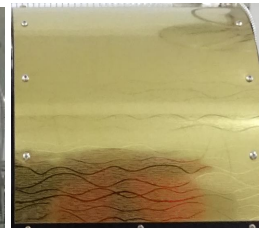
Basic Models



Mirror Silver



Matt Silver



Ripple Gold



Mirror Gold



Mirror Copper